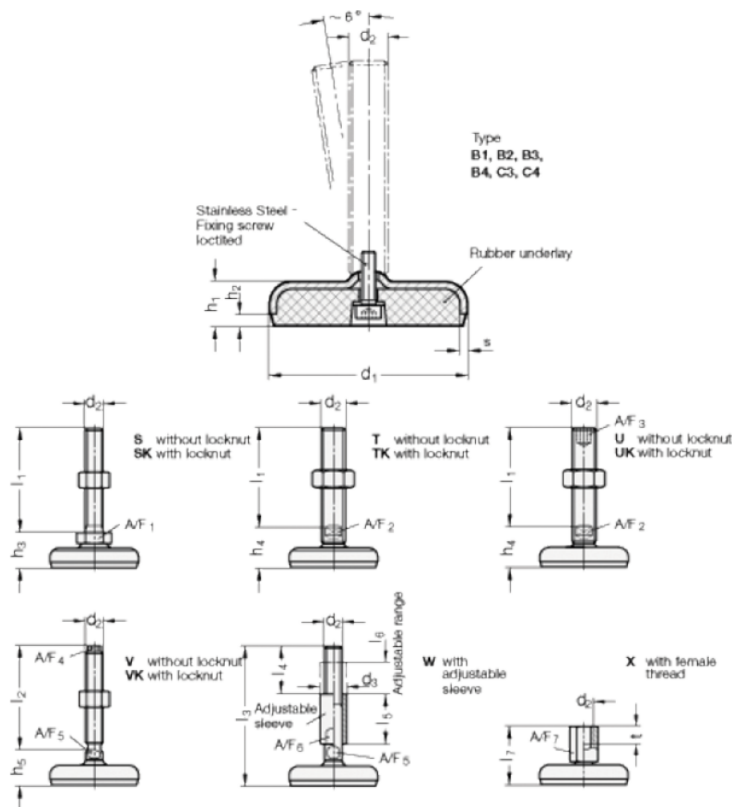


Article number: 203150M16125B1UK

Description: E+G levelling foot
GN 31-50-M16-125-B1-UK

Note: UK With nut, Hexagon socket at the top, Wrench flat at the bottom

Measures



A/F2	= 12	s = 3
A/F3	= 8	
d1	= 50	
d2	= 16	
h1	= 16	
h2	= 3.5	
h4 +4.0/0	= 29	
l1	= 125	